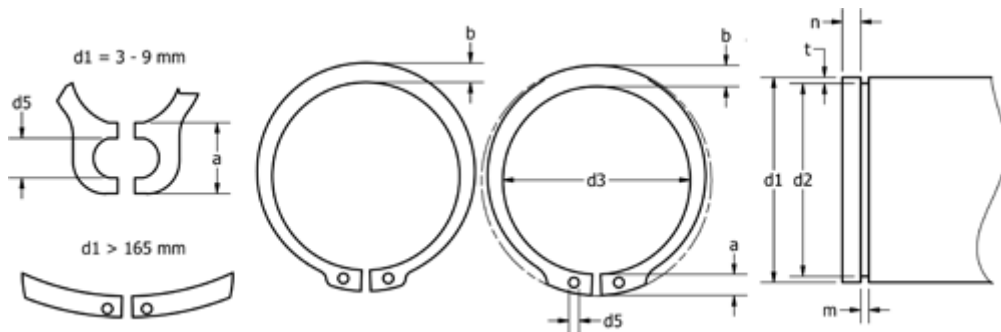


Data Sheet



Article number: 0101210
 Description: Retaining ring A 360 DIN 471
 Spring steel
 Note: Fitted with ZGA pilers

Measures



| | | | | | |
|--------------------|----------|---------------|-----------|----------------|--------------|
| a max | = | FN kN | = 928.0 | s | = 6.00 |
| AN mm ² | = 5570.0 | FRg kN | = 75.00 | t | = 5.00 |
| b | = 20.0 | FR kN | = 880.00 | tol | = -0.89 |
| d1 | = 360 | g | = 7.0 | tol | = -0.15 |
| d2 | = 350.0 | K kN-mm | = 2017.00 | tol | = +0,90-2,00 |
| d3 | = 343.0 | m min | = 6.20 | Tong | = ZGA-6 |
| d5 min | = 6.0 | n abl x 1000 | = 1.0 | Weight kg/1000 | = 880.000 |
| Description | = A360 | Nominal drive | = 15.0 | | |